

NEW SONIC SYSTEM

FORESTRY MULCHERS FOR EXCAVATORS

BL2/EX/VT - BL2/EX/SONIC

The mulcher with Bite Limiter technology for small and midsize excavators.

BL2/EX for 8-14 ton midsize excavators mulches trees with a max. diameter of 6 in and is available in two working widths: 39 and 49 in. The rotor features Bite Limiter technology. Steel profiles limit the teeth depth of action, which reduces power demand and guarantees speed and exceptional performance every time.

Two types of fixed teeth can be used with the rotor: Mini BL blades and Mini C/3 teeth. BL2/EX has a VT (Variable Torque) motor for noticeably better performance, increased torque when needed, and minimal risk of rotor stalling.



Sonic System



26-37 gal/min



Ø 6 in max



8-14 t



Hydraulic piston motor
Variable displacement
(VT Variable torque)



Hydraulic front trap door
helps contain debris and achieves finer sizing (optional)



Sonic System

is a new automatic intelligent system that manages the hydraulic transmission. It makes the mulching machine to perform at the maximum capacity in all conditions (BL2/EX/SONIC)

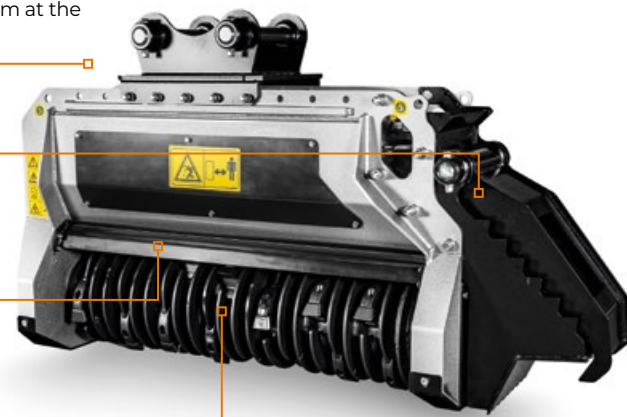
Custom made thumb bracket
to move and reposition material



Dedicated rear hood (deflector)
controls mulched material output for greater safety



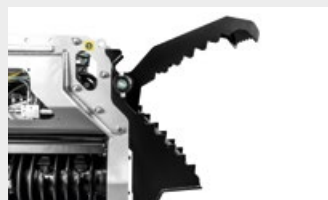
Bite Limiter rotor
special steel limiter rings control the depth of cut



MAIN OPTIONS



Attachment bracket



Thumb bracket and hydraulic thumb
useful in moving material to be mulched



Hydraulic front hood
for optimal mulching, reduces the ejection of mulched material

STANDARD EQUIPMENT

| | |
|--|--|
| 55/38cc variable torque hydraulic piston motor (26-37 gpm) (BL2/EX/VT) | 55cc variable torque hydraulic piston motor (26-37 gpm) (BL2/EX/SONIC) |
| Motor enclosed in the frame | Belt transmission |
| Flow control system valve | Bulkhead for hydraulic connections |
| Diverter valve | Bite Limiter rotor |
| Hydraulic front hood | Dedicated rear hood (deflector) |
| Safety and anticavitation valve | Sonic System (BL2/EX/SONIC) |
| Enclosed / anti dust machine body | |

OPTIONS

| | |
|---|---|
| Customized setting hydraulic motor (BL2/EX/VT) | Customized attachment bracket with pins |
| Hydraulic front hood for excavator AUX line (BL2/EX/VT) | Customized attachment bracket with pins and leg |
| Front fixed thumb bracked | Multiple tooth options |
| Hydraulic thumb | |
| Not supplied with hoses | Case drain required |

| MODEL | BL2/EX/VT 100 | BL2/EX/VT 125 | BL2/EX/SONIC 100 | BL2/EX/SONIC 125 |
|------------------------------------|---------------|---------------|------------------|------------------|
| Flow rate (gal/min) | 26-37 | 26-37 | 26-37 | 26-37 |
| Pressure (PSI) | 2600-5080 | 2600-5080 | 2600-5080 | 2600-5080 |
| Excavator weight (t) | 8-14 | 8-14 | 8-14 | 8-14 |
| Working width (in) | 39 | 49 | 39 | 49 |
| Weight (lbs) | 1257 | 1378 | 1257 | 1378 |
| Rotor diameter (in) | 14.2 | 14.2 | 14.2 | 14.2 |
| Max shredding diameter (in) | 6 | 6 | 6 | 6 |
| No. blades type MINI BL | 18 | 22 | 18 | 22 |

Data refers to machine as standard set-up. Options may have reflects on weights and dimensions. The technical data in this catalogue may be altered without prior notice.

ROTOR TYPE BL



BLADE MINI BL
(standard)



MINI C/3
(option)